

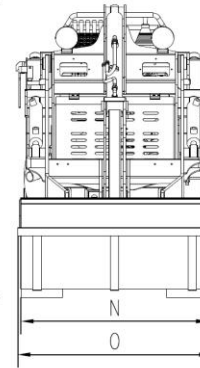
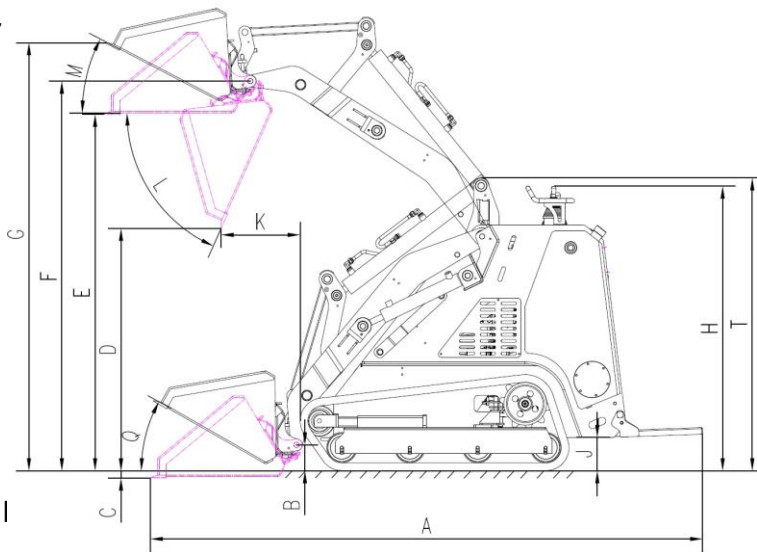


Multi-Loader

ML 300N



**Multi-Loader
ML 300N**



	mm	inches
A	2651	104.37
B	124	4.88
C	35	1.38
D	1162	45.75
E	1708	67.24
F	1867	73.50
G	2052	80.79
H	1364	53.70
J	160	6.30
K	380	14.96
L	66°	66°
M	28°	28°
N	900	35.43
O	970	38.19
T	1404	55.28
Q	29°	29°

Technical I

Motor	
Honda Type	GX 690
Displacement	2 Cyl. / 4-stroke
Engine Output	688 cm ³
Revolution Speed	18.4 kW / 25.0 hp
Starter	3600 rpm
Air Filter	Electric Starter
Fuel Filter	Dry Cartridge
	Sieve
Drive	Hydrostatic
Guidance	Hydraulic motor
Multi-Valve block	Hydrocontrol - Italy
Hydraulic pump	Permco - USA
Characteristic	Quick-change system joystick control, electric start



Operating Data		
Weight Without Attachments	1050 kg	2315 lbs
Operating Payload	300 kg	660 lbs
Operating Weight (loaded)	1350 kg	2976 lbs
Tipping Device	Hydraulic	Hydraulic
Climbing Ability	Max. 20° (36%)	Max. 20° (36%)
Working Speed	0 – 5 km/h	0 - 3.1 mph
Oil Pressure	180 bar	2611 psi
Oil Flow Rate	24.6 ltr./min.	6.5 gal./min

Accessories	4 in 1 bucket, excavator, pallet fork, gripper, auger, sweeper, trencher, hydraulic breaker/hammer, gripper (croc)
--------------------	--

Authorized Dealer:

GREAT NORTH HARDSCAPE
SOLUTIONS SIMPLIFIED

orders@gnhardscape.com
www.greatnorthhardscape.com
1.800.720.7627